



INSTALLATION MANUAL US-2 / RAA Ultrasonic Sensor / Right Angle Adapter

Introduction

The Model US-2 is an ultrasonic sensor that, when used with the VERSATEC™ Tension Control, provides non-contact distance measurement.

Mechanical Installation

Insert the body of the US-2 through a 30 mm (1.18 in.) diameter hole in a machine frame or mounting bracket. Secure with the two locknuts provided. The sensor is aligned with the target when a distance value is displayed on the VERSATEC screen. If the US-2 is not aligned with the target the display will read ****.

If using the RAA, install locknut, then screw adapter all the way onto the US-2 and secure with locknut. Rotate the US-2 in it's mounting to align to the target. The RAA adds 1 in. to the sonic path length.

Electrical Installation

Connect the leadwires from the US-2 to the VERSATEC terminal block TB2. Observe the color coding indicated on the label of the control. Connect the cable shield wire to the ground screw.

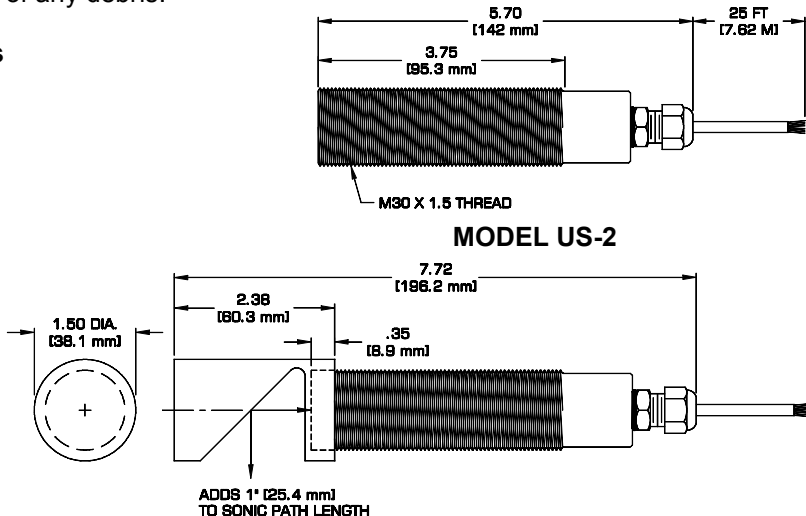
Environment

Enclosure Rating	IP65(EN60529)	Relative Humidity	5% to 85%
Climatic Class	3K3(EN60721)	Pollution Degree	2(IEC664-1)
Temperature Range		Altitude	0-2000 m
Operating	0°C to 40°C		
Storage	-30°C to 80°C		

Maintenance

Due to the sealed design of the US-2, there is no maintenance required, other than keeping the white face of the sensor clear of any debris.

Dimensions



MODEL RAA – RIGHT ANGLE ADAPTER

